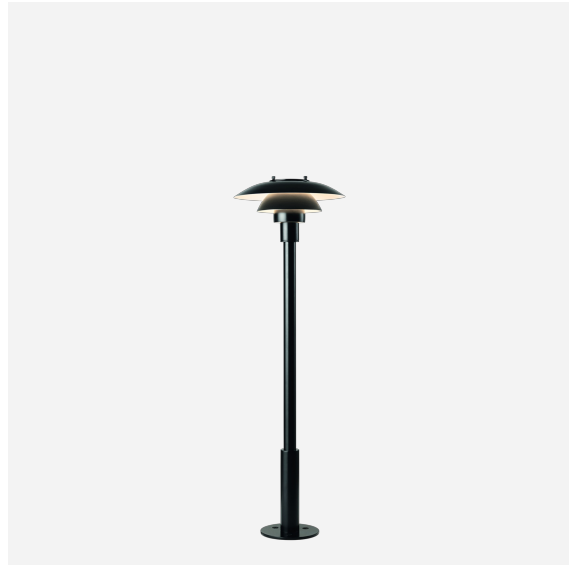


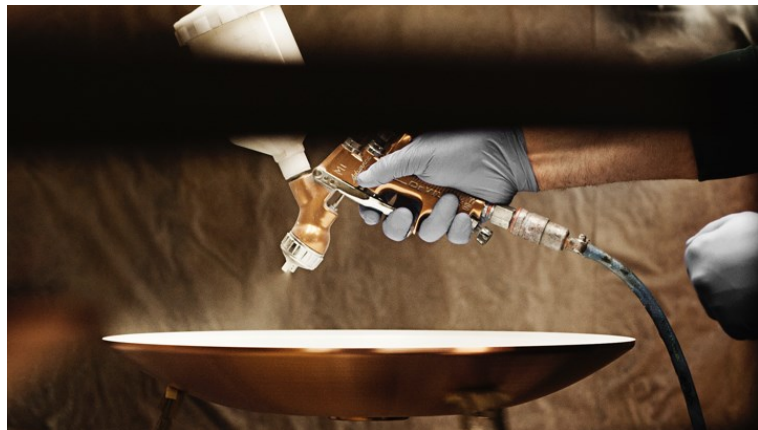
PH 3-2½ BOLLARD

The fixture is designed based on the principle of a reflective three-shade system, which directs the light downwards. The shades have a matt white painted interior surface, diffusing the light in a comfortable way.



Poul Henningsen

The very influential Danish designer, architect, writer, and cultural critic, Poul Henningsen (1894-1967), has had a huge impact on Danish thinking and design. His legacy is an integrated part of Louis Poulsen's endeavor to shape light.



Product info

Environmental Product Specification

This product is compliant with the requirements contained in the European Directives, RoHS Directive 2011/65 and 2015/863. This product is designed so that 100% of the product can be disassembled and reused.

Information

Earth anchor to be ordered separately. Anchor bolts to be sourced locally.

Mounting

Terminal block: 1x5x2.5mm². Terminal block positioning: In post. Cable entries: 2x bottom entries Ø 17mm. Looping: Approved, max. 5x2,5mm². Post w/base plate for surface mounting: H: 909mm incl. fixture head. Post dia. 32mm.

Finish

Black, powder coated.

Materials

Top shade: Spun stainless steel. Middle/lower shade: Spun stainless steel. Shadeholder: Form pressed glass. Post: Stainless steel.

Sizes and weights

width x Height x Length (mm) | 283 x 910 x 283 Max 3.6 kg | 283 x 1260 x 283 Max 3.9 kg

Class

Ingress protection IP44. Electric shock protection I.

Specification notes

The innovation of light sources is ongoing. Consequently we only inform about the max. wattages. On www.louispoulsen.com we update a list of recommendable light sources.

Light source

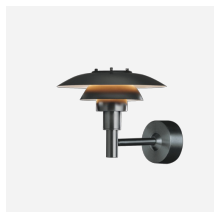
1x20W E27

Information

Earth anchor to be ordered separately. Anchor bolts to be sourced locally.



Related products



PH 3-2½ Outdoor Wall Lamp

Product variants

Dimension	Light source
1260mm	1x20W E27
910mm	

Design

Poul Henningsen

Weight

Min: 3.648 kg Max: 3.948 kg

Dimensions

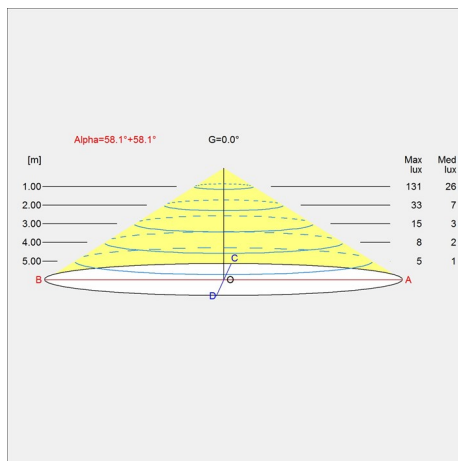
1260mm, 910mm

Finish

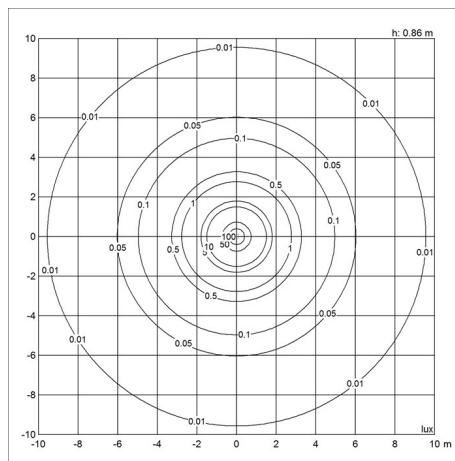
Black

Light distribution diagrams

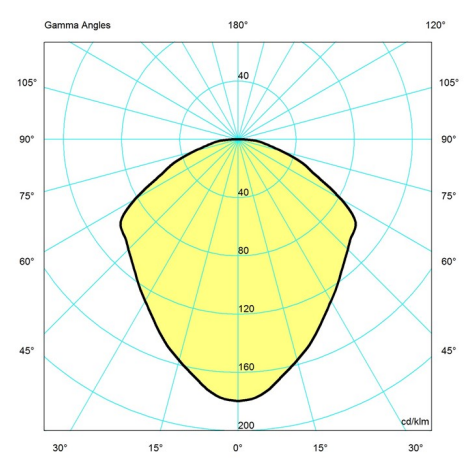
Cartesian



Isolux



Polar



Spare parts & accessories

PH 3-2½ Bollard

Product	Variant number
Anti-Theft screws 3 pcs M8X20 copper	5747293476
PH3-2½ BOL./TOLDBOD BOL.EARTH ANCHOR NEW	5747293696
PH 3-2½ BOL/WAL V2, GLASS	5747293382