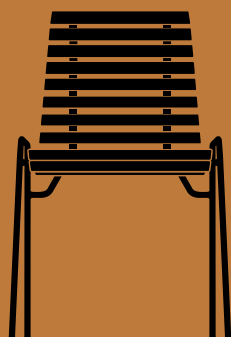


RFH Terrace Chair <sup>RD4</sup>

Robin Day

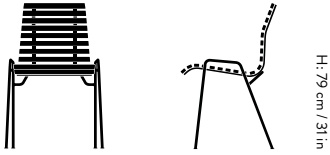
1951



# RFH Terrace Chair<sup>RD4</sup>

## Robin Day

### 1951



W: 54.5 cm / 21 in, D: 52 cm / 20 in  
Seat H: 45.5 cm / 18 in, Seat D: 40 cm / 16 in

#### Product description

Outdoor side chair

#### Environment

Outdoor

#### Material

Solid teak, powder coated high strength steel frame.  
This product has not been treated with any biocides.

#### Production process

The steel frame is CNC bent and welded into place.  
The teak wood is milled into shape then sanded and left untreated but smooth.

#### Dimensions

W: 54.5 cm / 21 in  
H: 79 cm / 31 in  
D: 52 cm / 20 in  
Seat H: 45.5 cm / 18 in  
Seat D: 40 cm / 16 in

#### Weight

7.75 kg

#### Strength, durability and safety testing

EN 16139 Level 2 - Seating  
EN 581 - Outdoor Furniture

#### Certifications



FSC® 100%

#### Gliders

Plastic gliders

#### Impact

- Framed in steel, a recyclable durable metal, reducing demand for raw material.
- Made with solid teak, a high performing wood, aging gracefully over time.
- Designed for disassembly, enabling easier repair, renovation and replacement of parts.

#### Manufacturer

Produced in PRC by Nine United Limited

#### → Stock items

Teak & Black

#### Cleaning Instructions

Please see our [Maintenance & Care instructions here](#)



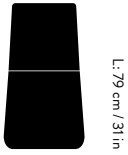
→ Teak & Black

# RFH Terrace Chair<sup>RD4</sup>

## Robin Day

### 1951

---



W: 44 cm / 17 in, H: 3 cm / 1 in

#### Product description

Outdoor cushion

#### Environment

Outdoor

#### Material

Water repellent and stain proof canvas made from 50% recycled acrylic, 47% acrylic, 3% polyester.

#### Production process

Fast drying foam and wadding is cut to size, then put into the textile cover.

#### COM - Material Consumption

Fabric usage: 0.88 meters based on 140 cm roll

#### Dimensions

W: 44 cm / 17 in

L: 79 cm / 31 in

H: 3 cm / 1 in

#### Weight

0.53 kg

#### Impact

TOP FABRIC ONLY:

- Made with 50% repurposed fibres sourced from production offcuts.
- Resistant against water, stains, UV damage and mould, prolonging its lifespan.

#### Manufacturer

Produced in Poland by Trioline

#### Cleaning Instructions

[Please see our Maintenance & Care instructions here](#)

#### → Stock items

Heritage Papyrus and Heritage Char



→ Heritage Papyrus



→ Heritage Char

# RFH Terrace Chair<sup>RD4</sup>

Robin Day

1951



W: 43 cm / 17 in, H: 3 cm / 1 in

## Product description

Outdoor seat pad

## Environment

Outdoor

## Material

Water repellent and stain proof canvas made from 50% recycled acrylic, 47% acrylic, 3% polyester

## Production process

Fast drying foam and wadding is cut to size, then put into the textile cover.

## COM - Material Consumption

Fabric usage: 0.35 meters based on 140 cm roll

## Dimensions

W: 43 cm / 17 in

L: 44 cm / 17 in

H: 3 cm / 1 in

## Weight

0.3 kg

## Impact

- Made with 50% repurposed fibres sourced from production offcuts.
- Resistant against water, stains, UV damage and mould, prolonging its lifespan.
- Removable cover.

## Manufacturer

Produced in PRC by Nine United Limited

## Cleaning Instructions

Please see our [Maintenance & Care instructions here](#)

## → Stock items

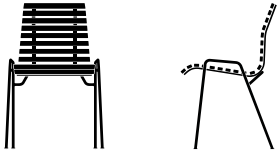
Heritage Papyrus and Heritage Char



→ Heritage Papyrus



→ Heritage Char



H: 79cm / 31in

W: 54.5cm / 21in, D: 52cm / 20in  
Seat H: 45.5cm / 18in, Seating D: 40cm / 16in

# Recycling & Disassembly

RFH Terrace Chair <sup>RD4</sup>

## RECYLING

The RFH Terrace Chair is built to last, and we hope that your RFH Terrace Chair will serve you for many years. The chair is made from solid wood, and can be easily separated from its base. All metal and wooden parts can be separated and delivered to a suitable recycling station.

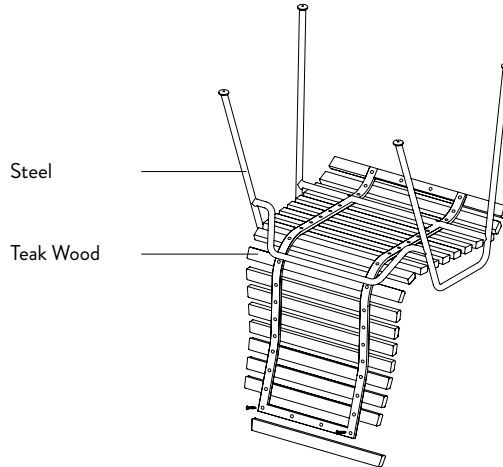
## SPARE PARTS

To purchase spare parts for your RFH Terrace Chair, please write to our sales support team at [info@andtradition.com](mailto:info@andtradition.com) with your query.

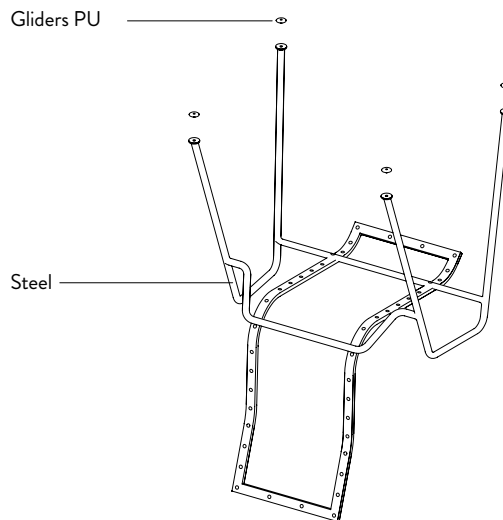
## 5 YEAR WARRANTY

&Tradition provides a 5-year warranty with every RFH Terrace Chair, which covers faults which were present at the time of purchase, or which have occurred as a result of a manufacturing defect. The warranty is valid from the date stated on the original invoice.

## DISASSEMBLY



1. Remove the wooden slats, by turning the allen key counterclockwise.



2. Remove the gliders using a flat head screwdriver.