

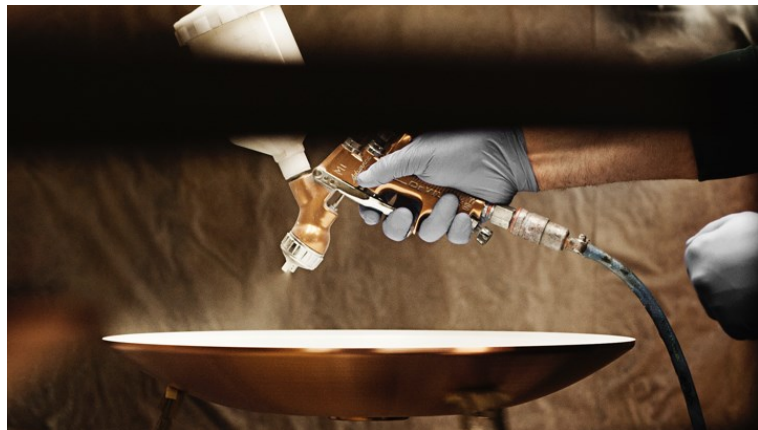
# LP ICON OPAQUE

The fixture provides 100% direct downward illumination. Depending on the lenses chosen, the downwardly directed light can be distributed symmetrically or asymmetrically. Optical lenses in front of the LEDs ensure precise light distribution. The reflector surrounding the LED boards and lenses creates a transition from high luminance to lower luminance, thereby reducing uncomfortable contrast.



## Mads Ogdgård

The Danish designer Mads Ogdgård (1960 to present), is a leading figure in a new generation of international designers. He is a minimalist and a 'less is more' man, who would rather deduct than add. More than anything, he believes that excellent design must be logical and functional if it is to endure.



## Product info

### Information

Lumen: 3750 (LI), 7400 (HI). Dimming options: DALI, CLO, and nighttime dimming (default setting: 50% power in 8 hours). All variants available with Zhaga socket for Smart City compatibility, including CLO and nighttime dimming options. Please contact Louis Poulsen for 2700K.

### Mounting

Fitting/pipe stub dimensions: Dia. 48 mm min. 100 mm or wire suspension. Installation cord: Side-mounted and top-mounted versions: 9 m, 5x1.5 mm<sup>2</sup> (Class I) or 9 m, 4x1.5 mm<sup>2</sup> (Class II). Top-mounted: For 3/4" pipe thread min. 34 mm. Wire-mounted version: No cord, but approved for looping max. 3x1.5 mm<sup>2</sup> via IP68 connectors. Driver position: In fixture head. Tool-free replacement of LED and driver unit.

### Finish

Aluminum-colored with textured surface. Powder-coated.

### Materials

Shade: Light grey opaque acrylic. Housing: Die-cast aluminum. Reflector: Injection-molded plastic (ASA). Diffuser: Toughened clear glass with silkscreen print. A membran for pressure equalization is mounted in the glass.

### Sizes and weights

width x Height x Length (mm) | 476 x 422 x 476 Max 12.8 kg

### Class

Ingress protection IP66. Electric shock protection I w/ground, II w/o ground. IK08.

### Light source

LED 2700K 30W

Lumen: 3636

### Information

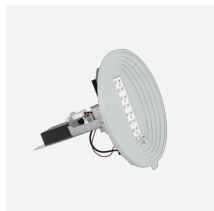
Lumen: 3750 (LI), 7400 (HI).

Dimming options: DALI, CLO, and nighttime dimming (default setting: 50% power in 8 hours).

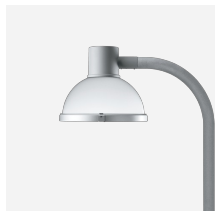
All variants available with Zhaga socket for Smart City compatibility, including CLO and nighttime dimming options.

Please contact Louis Poulsen for 2700K.

## Related products



LP Icon LED Upgrade Kit



LP Icon

## Product variants

Mounting	Light source	Lumen	Class	Light technique	Lighting control	Special accessories
Side-mounted	LED 2700K 30W	3578	I	ASY2	2xzhaga sr	3000 LUMEN
Top-mounted	LED 2700K 59W	3633	II	ASYT3	Dac: dali + clo	6000 LUMEN
Wire top-mounted	LED 3000K 30W	3636		DOUBLE SYMM	Dpc: nightdim + clo	
	LED 3000K 59W	3694		ROT5	Zhaga sr	
		3721				
		3777				
		3781				
		3841				
		7031				
		7138				
		7145				
		7258				
		7311				
		7422				
		7430				
		7547				

# Product description

Moderately sized post top luminaire that combines the geometries of a half dome with vertical cylinder. Opal white, impact-resistant acrylic casts a glowing effect that emulates the moon. Choice of optics for Type III or Type V distributions.

---

## Light description

The fixture provides mainly direct downward illumination. The shade is lit up from within and creates a soft diffuse upwards light. Choice of symmetric or asymmetric light distributions. Standard CCT in 3000K or 4000K, controlled by electronic dimmable driver.

---

## Design

Mads Odgård

---

## Weight

Min: 10.094 kg Max: 12.797 kg

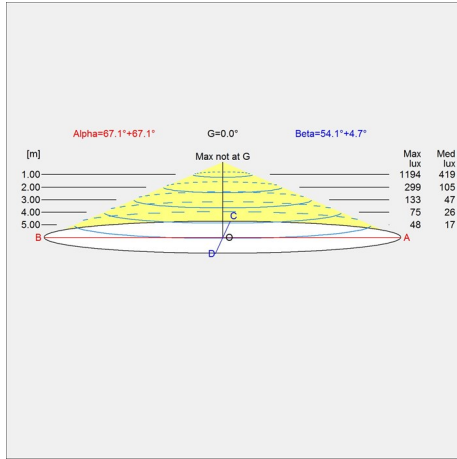
---

## Finish

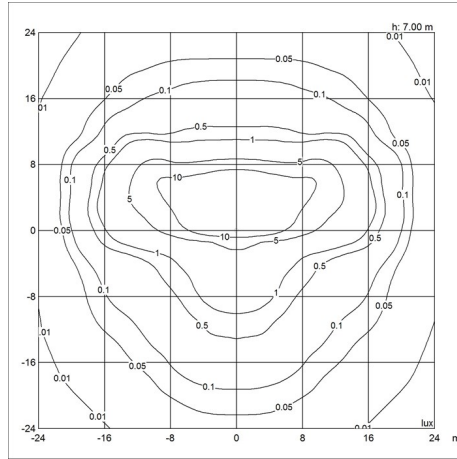
Aluminium colour texture

# Light distribution diagrams

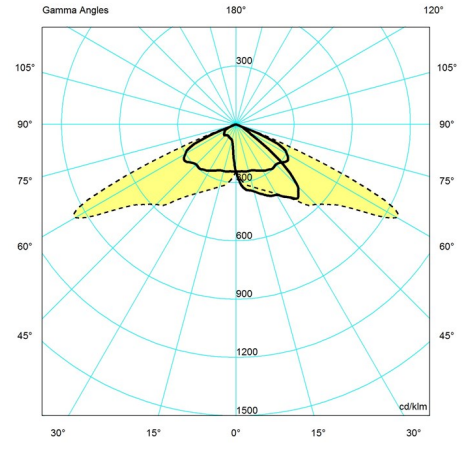
Cartesian



Isolux



Polar



## Spare parts & accessories

**Product**

- LP Icon Opaque Black LEDIL HI Backlight shade kit
- LP Icon Opaque Black LEDIL LI Backlight shade kit

**Variant number**

- 5747844676
- 5747844689