

FRITZ HANSEN



CLAM™ PENDANT
PRODUCT FACT SHEET

CLAM™ PENDANT

Inspired by the curved forms of seashells, Clam™ is a luxurious, new lighting fixture with timeless appeal. Balancing an upper and lower mouth blown opal glass shade on brushed brass fittings, the lamp glides open to reveal the pearlescent source of light within. It brings glare-free, mood-enhancing light to dining and living spaces alike. Equally elegant open as it is closed, the perfectly balanced design elevates any room with its considered combination of form and ambiance.

PRODUCT TYPE

Pendant

ENVIRONMENT

Indoor

DESIGNER / YEAR OF DESIGN

Ahm & Lund, 2019

ABOUT THE DESIGNER

Ahm & Lund is a Copenhagen-based design studio founded by furniture architect Isabel Ahm and cabinetmaker Signe Lund. The two work at the intersection of craft and design with a shared belief in aesthetic sustainability and longlasting design. They create products with deep, material understanding, and meaning.

VARIANTS

Ø440

Ø550

MATERIAL

Shade: Opal glass.

Each shade is individually made and variations in surface thickness and texture, including air bubbles, may occur.

Suspension and canopy: Brass (untreated).
Please note that the brass will patinate.

FEATURES

- Glare-free, ambient lighting
- Customisable open/close function



CLOSED



OPEN

PRODUCTION PROCESS

The shades are made of mouth blown opal glass. For the design to work properly, two large mouth blown shades must match symmetrically. An internal diffuser creates beautiful, glare-free light for ambiance and atmosphere. A small, brass knob can be turned by hand to open and close the lower shade, adjusting light, mood, and styling. The knob design is inspired by antique gas lamps.

CERTIFICATIONS AND DECLARATIONS

CE, CB, cULus, KC, PSE

LAMP RATING AND SPECIFICATIONS

CE:

Voltage: 230V

Frequency: 50-60 Hz

KC:

Voltage: 220V

Frequency: 60 Hz

cULus:

Voltage: 120V

Frequency: 60 Hz

PSE:

Voltage: 100V

Frequency: 60 Hz

IP Rating: IP20

Isolation class: Class I

LOR: 78%

Light source included: No

COUNTRY OF ORIGIN

Poland

PRE-ASSEMBLED

No

CLEANING AND CARE

Find recommendations for cleaning and care at:
[fritzhanzen.com/maintenance](https://www.fritzhanzen.com/maintenance)

PACKAGING

The pendant is protected with foam inserts and shipped in cardboard. All packaging material can be recycled.

WARRANTY

2 years

REPAIR, DISPOSAL AND REUSE

In case of repair and disposal the pendant can be disassembled into parts. The glass and all metal parts can be recycled. Check local regulations for recycling options and whether there is potential for reuse.

VARIANT

Ø440

DIMENSIONS

Height: 52,2 cm / 20.5 in
Diameter: 44 cm / 17.3 in

WEIGHT

6,5 kg / 14.3 lb

CORD

Length: 6 m / 236.2 in
Material: Textile incl wire
Colour: Black

CANOPY

Included: Yes
Material: Brass

LIGHT SOURCE

Socket: E27
Max wattage: 60W
Light source size (recommendation):
• Length: Max 100 mm / 3.9 in
• Diameter: Max 80 mm / 3.1 in

PRODUCT CODE / EAN

CE & PSE: 94724305 / 5702370000677
CULus: 94724405 / 5702370000684
KC: 94724605 / 5702370002640

PACKAGING

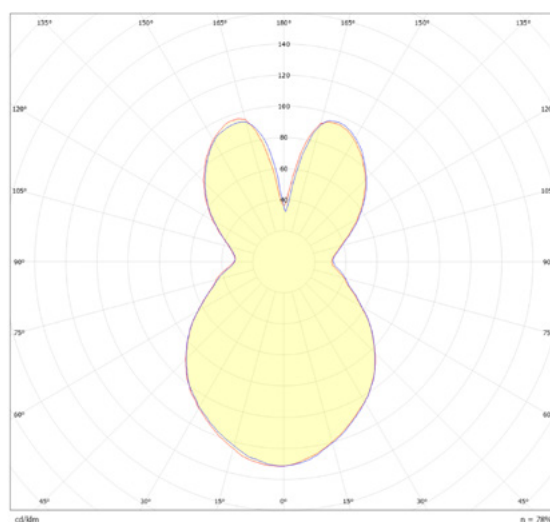
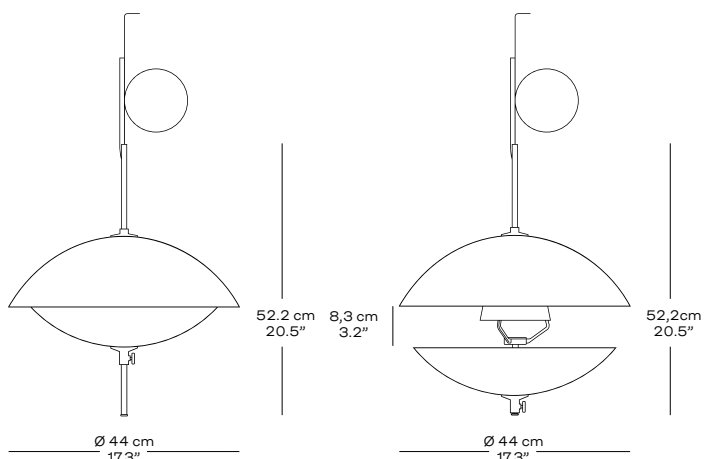
Shade (2 boxes):
Height: 21 cm / 8.2 in
Width: 53 cm / 20.8 in
Depth: 50,6 cm / 19.9 in

Suspension:

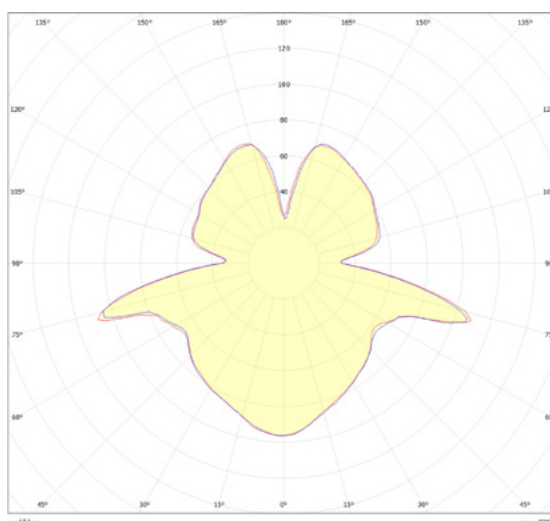
Height: 15,1 cm / 5.9 in
Width: 63 cm / 24.8 in
Depth: 25,6 cm / 10.1 in

COLLI

3 boxes per pendant



CLOSED



OPEN

VARIANT

Ø550

DIMENSIONS

Height: 54 cm / 21.3 in
Diameter: 55 cm / 21.7 in

WEIGHT

9 kg / 19.8 lb

CORD

Length: 6 m / 236.2 in
Material: Textile incl wire
Colour: Black

CANOPY

Included: Yes
Material: Brass

LIGHT SOURCE

Socket: E27
Max wattage: 60W
Light source size (recommendation):
• Length: Max 100 mm / 3.9 in
• Diameter: Max 80 mm / 3.1 in

PRODUCT CODE / EAN

CE & PSE: 94722205 / 5702370000271
CULus: 94722305 / 5702370000288
KC: 94724705 / 5702370002657

PACKAGING

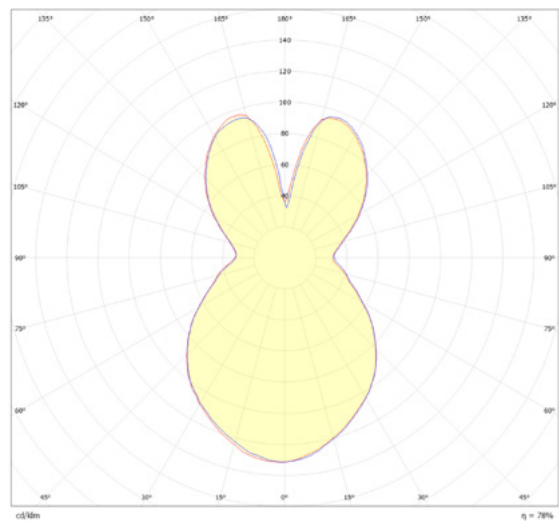
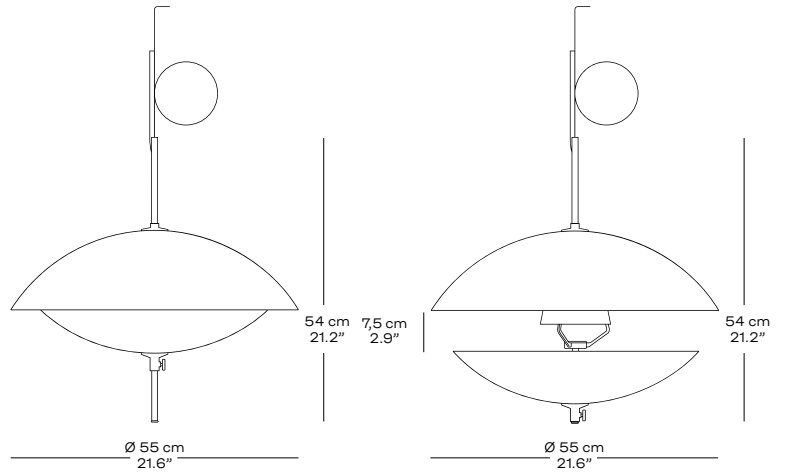
Shade (2 boxes):
Height: 22,8 cm / 8.9 in
Width: 64 cm / 25.1 in
Depth: 61,6 cm / 24.2 in

Suspension:

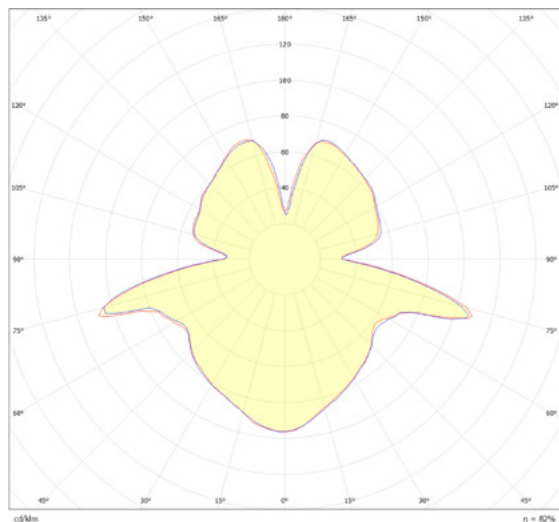
Height: 15,1 cm / 5.9 in
Width: 63 cm / 24.8 in
Depth: 25,6 cm / 10.1 in

COLLI

3 boxes per pendant



CLOSED



OPEN